



Excavator Services Ltd

EG-Contractor

Heavy duty over the top (elephant) type bale grab



Our EG-Contractor heavy duty bale grab has been designed and developed to improve productivity and efficiency and reduce bale handling time.

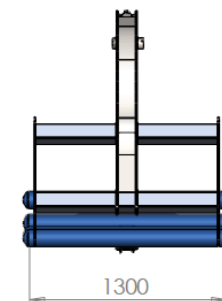
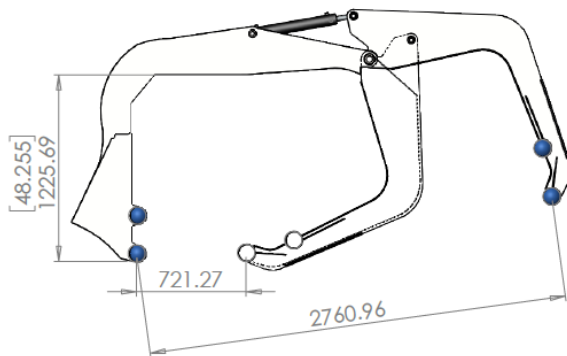
We have taken the standard 'elephant' type bale grab and made it bigger!!

With a massive 2.7mtr max opening it can handle up to 3 large square bales and with closing to 0.7mtr will still handle 1 on its own

It will also still handle round bales



Being able to handle 3 bales at once trailers can be loaded faster, only 1 trip to the trailer to load a complete row across the trailer



Unit 315 Fauld Ind.Est
Nr Turtbury, Burton on Trent
Staffs, DE13 9HS

Tel: 01283 815544
Fax: 01283 812961

Web: www.abiljo.ltd.uk
Email: sales@abiljo.ltd.uk

